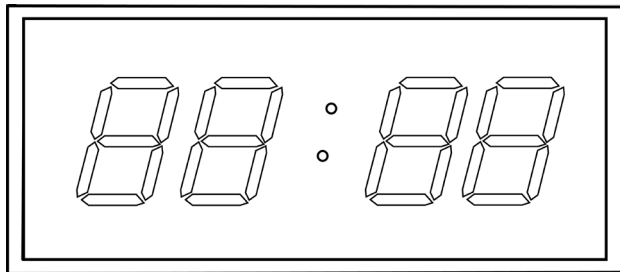


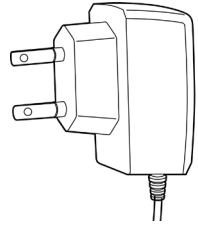
BIGTIMECLOCKS® BHC®

MODEL XL-109R

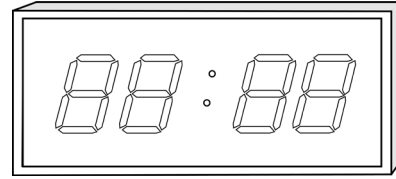
**TIME OF DAY
ALARM
COUNTDOWN / UP
DIGITAL WALL CLOCK**



What's in the box



1 X Power supply



1 X Digital clock



1 X Remote control

1. Overview

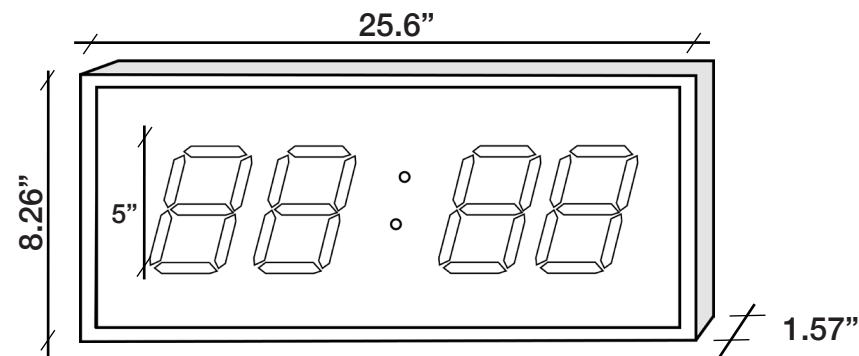
BigTimeClocks® 109R-XL is a 5" numeral / 4 digit indoor wall clock which displays hours and minutes. The clock must never be installed outdoors or exposed to the elements.

Model 109R-XL is operated only with the supplied remote control model REM-109R-XL (*spare remote controls are available on demand, please contact Customer Service- see page 4 for contact details*).

Model 109R-XL is designed to be wall mounted (*see figures 2 & 3*) but can also be used as a desktop solution provided the clock is secured and stabilized on a flat surface.

Figure 1

Clock dimensions



NOTE: Model 109R-XL is a plug-in digital clock. A small battery is included in the clock for backup purposes in order to maintain clock functions in the background. The battery will however not illuminate the display. The clock will remain on time when power resumes. Model 109R-XL is exclusively operated with the remote control supplied with the clock.

2. Setup

2.1 Time of day

Press "F1" to enter time of day display and then press "F2".

The digits will start to blink. Enter the values for the hours by using your keypad. Use the arrows on your remote keypad to navigate to the minutes digits. Enter the minutes values and press "F2" to save and exit the editing mode.

You can switch between 12hrs and 24hrs time display by pressing the "F11" button. An am or pm light appears on the screen if the 12hrs time format has been selected.

2.2 Countdown

In time of day or countup modes, press "F9" to enter countdown mode. **Hours and minutes** (HH:MM) display is the default setting.

Press "F2" to set the countdown value (max value is 99:59). The hour digits will blink. Enter your target hour value using the remote keypad and use the remote arrows to edit the minutes digits.

To access countdown mode in **minutes and seconds** (MM:SS), press "F11" on your remote control. Press "F2" and the minutes digits will blink. Enter your target minutes and seconds values using the remote keypad.

Press "F2" once more to save your settings and exit.

To revert back to the **hours and minutes** (HH:MM) setting, press "F10".

2.3 Count up

In time of day or countdown modes, press "F5" to enter count up mode. **Hours and minutes** (HH:MM) display is the default setting.

Press "F2" to set the count up value (max value is 99:59). The hour digits will blink. Enter your target hour value using the remote keypad and use the remote arrows to edit the minutes digits.

To access count up mode in **minutes and seconds** (MM:SS), press "F11" on your remote control. Press "F2" and the minutes digits will blink. Enter your target minutes and seconds values using the remote keypad.

Press "F2" once more to save your settings and exit.

To revert back to the **hours and minutes** (HH:MM) setting, press "F10".

NOTE:

- In hours and minutes countdown mode, the countdown will display seconds below 1 minutes. At the end of a countdown / up, the clock will beep or simply blink if sound has been muted (see chapter 2.5: volume control).
- When a countdown or count up is set, an alarm icon will show on the screen.
- Press "F1" during a countdown / up to display the time of day.

2.4 Alarms

Press the **"F10"** key in time of day mode to set an hourly alarm.
 The hour position will display the alarm groups and will flash. Use the keypad on the remote control to select the alarm group (there are a total of 8 groups).
 Press **"F6"** again and the minute position will display the alarm "ON" or alarm "--", press the **"F7"** key to switch the alarm on / off.
 Press **"F2"** key to exit and save the setting values.

2.5 Volume control

Press **"F3"** in time of day mode. When "--" displays in the "hour" position, the key tones produce when remote keys are pressed are turned off. When "ON" is displayed in the hours position, the tones are on. Use F5 / F9 to turn on / off.

After setting the key tone, press **"F3"** to set the volume (for end of countdown / up and alarm buzzes).

There are 3 levels to choose from. The volume level will be displayed in the minutes section. Move the volume up by pressing **"F5"**. Move the volume down by pressing **"F9"**.
 Press **"F7"** to save and exit editing mode and return to time of day display.

3. Wall mounting

Figure 1

Mounting / side view

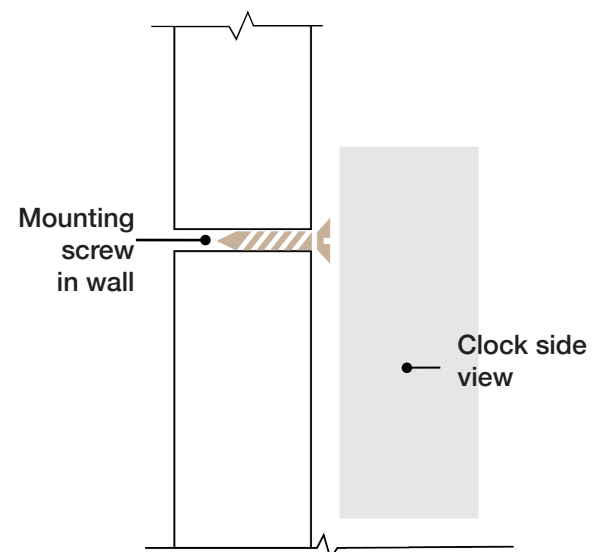
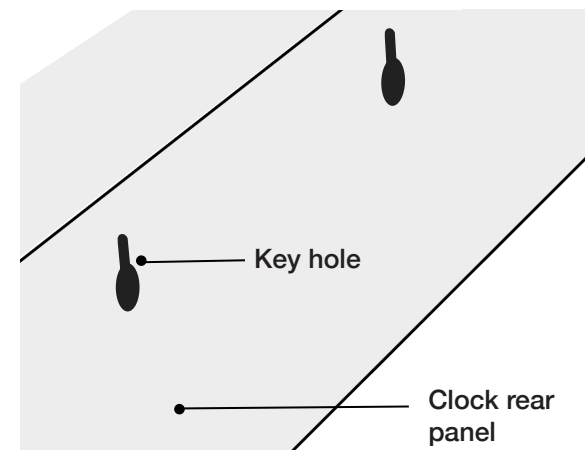


Figure 2

Rear view of clock



4. Remote control

Press **"F3"** to enter volume control settings

Press **"F5"** to enter the count up mode

Press **"F6"** to change an alarm group status on / off

"F1" switches to time mode when a count down /up is in progress. Press **"F1"** to exit setting mode without saving

Press **"F2"** in any mode to edit values. Enter your values and press **"F2"** again to save settings and exit

"F4" activates the snooze function which pauses the alarm for 8 minutes. The alarm can be snoozed 10 consecutive times before stopping

Press **"F8"** to stop the alarm

www.bigtimeclocks.biz



If you require any assistance, please contact customer service:

Phone# (702) 726 9030
email: info@bigtimeclocks.biz