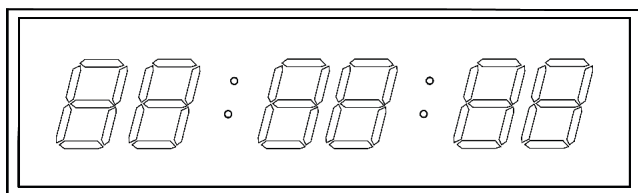


BIGTIMECLOCKS® BHC®

INSTALLATION MANUAL

MODEL 150 DIGITAL CLOCK

**TIME OF DAY
COUNTDOWN / UP /
STOPWATCH
INTERVAL TIMING**

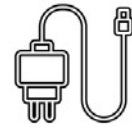


What's in the box



1 x

digital clock (with protective coating)



1 x

7ft power supply



1 x

Remote control



1 x

User's guide

1. Tools & hardware required (not included)



Measuring tape



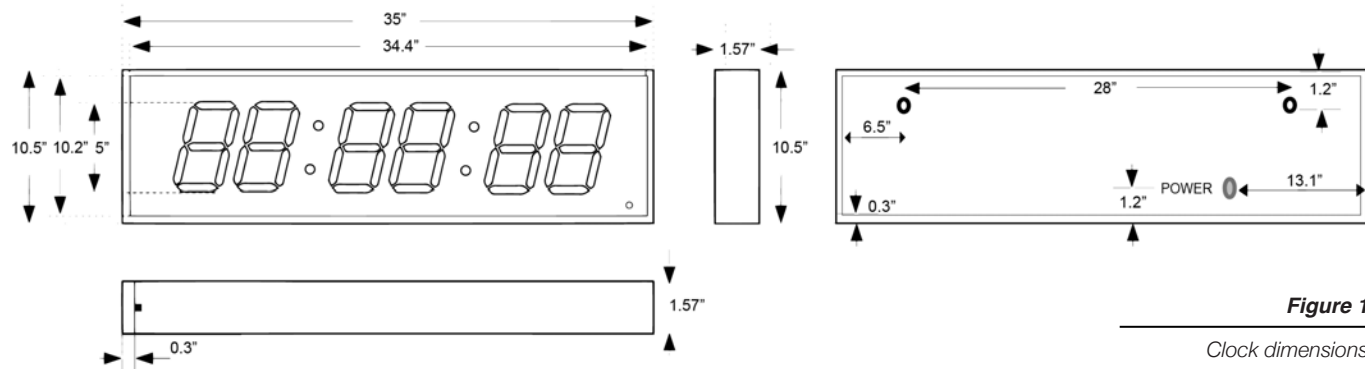
Drill



Screws

2. Overview

- BigTimeClocks® model 150 is a 5" numeral / 6 digit indoor wall clock which displays hours, minutes and seconds.
- The clock **must not be permanently installed outdoors** but can however be used for outdoor events if not exposed to water/rain.
- The clock is supplied with a protective film on the screen. Please note that this protective film must be removed prior to using the clock.
- All accessories including the remote control and power supply are housed within the box styrofoam protections.
- There are 2 main mounting methods for model 150: wall mounting or tripod mounting (see page 3). The clock can also be desk mounted by simply resting the 1.52" deep frame on a desk surface. In this case please ensure the clock is securely fastened onto the desk surface.



3. Wall mounting

10 minutes

1 person

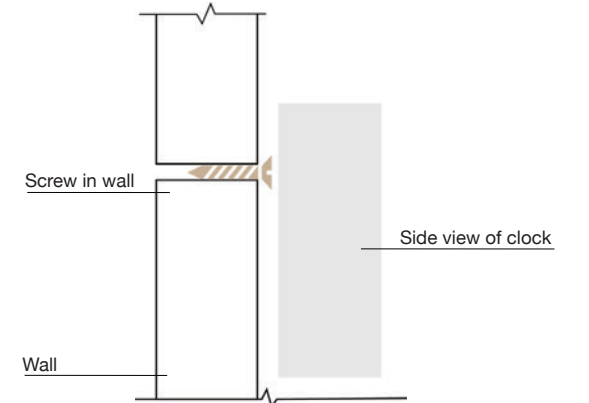
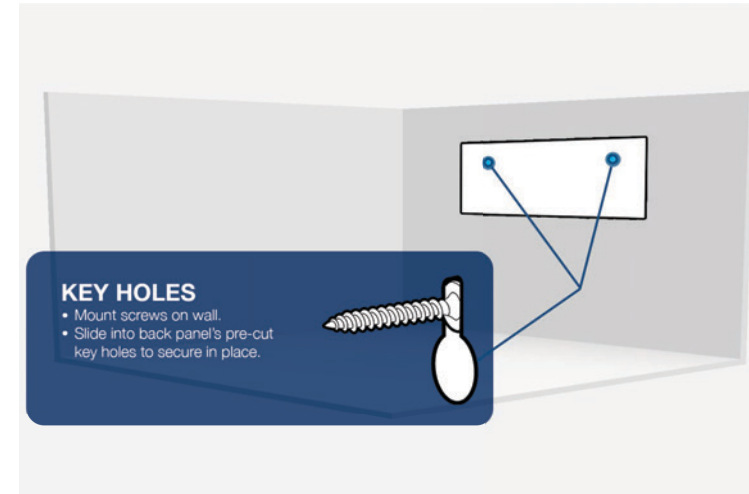


Figure 2
Side view of clock and wall

4. Tripod mounting

10 minutes

1 person

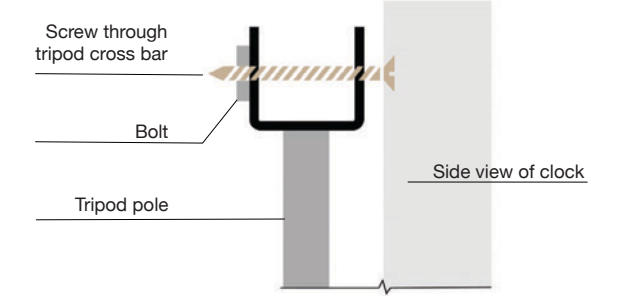
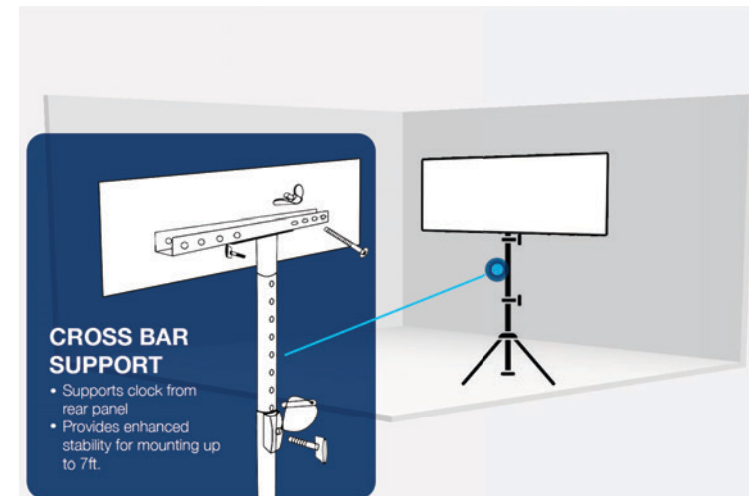


Figure 3
Side view of clock and tripod cross bar

NOTE: Model 150 is an indoor digital clock. The clock must neither be permanently outdoor mounted nor exposed to water/rain. Such exposure is unsafe due to the electrical nature of the unit, the non-waterproof framework and the the non-waterproof external power supply. Model 150 may be used occasionally for outdoor events (plugged into an outlet or external battery) provided weather conditions are compatible with the clock's operating requirements.



EZCLOCKS LLC.,

8565 S Eastern ave, Suite 150,

Las Vegas NV 89123

Tel: (702) 726 9030

www.bigtimeclocks.biz