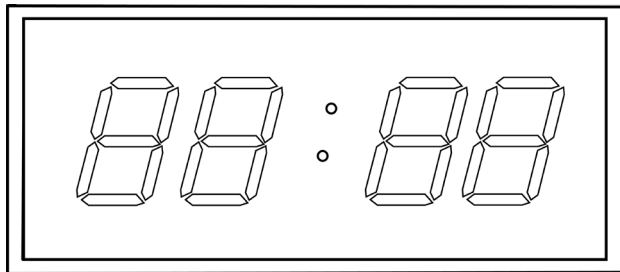


BIGTIMECLOCKS® BHC®

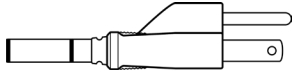
MODEL XL-124W

2022 Instructions manual

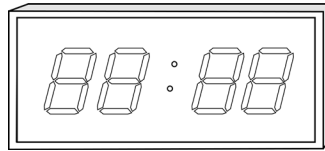
**TIME OF DAY (GPS Satellite)
DATE
TEMPERATURE
COUNTDOWN / COUNT UP**



What's in the box



1X Waterproof lead



1X Digital clock



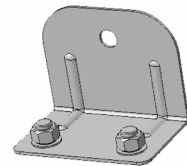
1X RF remote control



1X GPS Antenna



1X Temperature probe



4X Mounting brackets

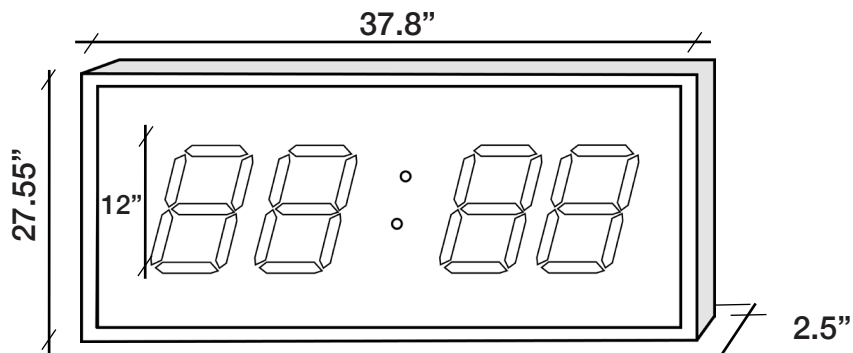
1. Overview

BigTimeClocks® model XL-124W is a 12" numeral / 4 digit outdoor waterproof, IP65 rated, clock which displays satellite time in hours and minutes. The clock features an external GPS antenna and a temperature probe that connect to the clock and allow to display time, date and temperature in a rotating format.

Model XL-124W is operated only with the supplied remote control model REM-XL124W (*spare remote controls are available on demand. Please contact Customer Service- see page 5 for contact details*).

Figure 1

Clock dimensions



NOTE: Model XL-124W is a plug-in digital clock. A small battery is included in the clock for backup purposes in order to maintain clock functions in the background. The battery will however not illuminate the display. The clock synchronizes with the satellite when power resumes. Model XL-124W is exclusively operated with the Radio Frequency remote control supplied with the clock.

2. Setup

2.1 Setting Time of day, date and temperature

Press **“Set”** on your remote control. The digits will start to blink. You will first be prompted to enter the year. Press **“Set”** again and enter the date. Press **“Set”** again and you will enter the time zone screen: in this screen please enter your time zone in reference to GMT (Greenwich Mean Time). For example US East coast time is GMT-6 and US Pacific time is GMT-9. To make the negative symbol appear on the left of the display, please use the down arrow on your remote and navigate to the desired value. Press **“Set”** to save and exit the setting mode.

The XL-124W will synchronize with the satellite within 1-5 minutes.

The XL-124W can easily be adjusted to daylight savings time by pressing the **“DST”** button featured on the remote control.

2.2 Pairing the remote control

When the clock is powered up, if the remote does not immediately connect to the clock, press the SET and R buttons at the same time for 15s.

3. Functions

3.1 Time of day, date and temperature

The XL-124W pulls its data from the GPS satellite and synchronizes multiple times throughout the day providing the highest level of accuracy for your time content, and matching other connected devices such as phones, tablets or computers. In case of a power loss, the clock will retain memory settings (time zone, year and date) and will immediately synchronize with the satellite when power resumes.

Note: Pressing the **“DST”** button on the remote control will automatically adjust time displayed to reflect the +/-1 hr time change.

3.2 Countdown

BigTimeClocks® model XL-124W offers 2 countdown options: **hours/minutes** or **minutes/seconds**.

3.2.1 Countdown in hours & minutes

When in time mode, press **"1"** to access countdown in hours & minutes (HH: MM display)
Press **"edit"** to set the value. Edit the values using the numerical keypad and the arrows to navigate from hours to minutes. Press **"edit"** again to save and exit. Press **"OK"** to start. Pressing **"OK"** once more will pause the countdown.

3.2.1 Countdown in minutes & seconds

When in time mode, press **"2"** to access countdown in minutes & seconds (MM: SS display)
Press **"edit"** to set the value. Edit the values using the numerical keypad and the arrows to navigate from hours to minutes. Press **"edit"** again to save and exit. Press **"OK"** to start. Pressing **"OK"** once more will pause the countdown.

Note: At the end of a countdown (00:00), the clock will beep or simply blink if sound has been muted (see mute button on remote control).

3.3 Count up

BigTimeClocks® model XL-124W offers 2 count up options: **hours/minutes** or **minutes/seconds**.

3.2.1 Count up in hours & minutes

When in time mode, press **"3"** to access count up in hours & minutes (HH: MM display)
Press **"edit"** to set the value. Edit the values using the numerical keypad and the arrows to navigate from hours to minutes. Press **"edit"** again to save and exit. Press **"OK"** to start. Pressing **"OK"** once more will pause the count up.

3.2.1 Count up in minutes & seconds

When in time mode, press **"4"** to access count up in minutes & seconds (MM: SS display)
Press **"edit"** to set the value. Edit the values using the numerical keypad and the arrows to navigate from hours to minutes. Press **"edit"** again to save and exit. Press **"OK"** to start. Pressing **"OK"** once more will pause the count up.

Note: At the end of a countdown (00:00), the clock will beep or simply blink if sound has been muted (see mute button on remote control).

4. Display options

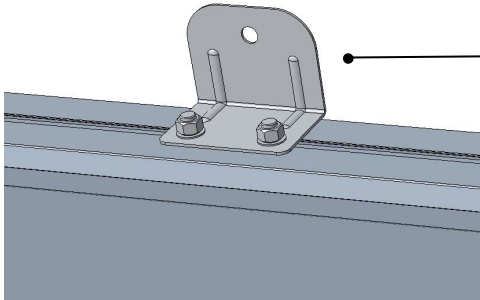
4.1 Time of day

To show time of day only on your screen, press the "fix" button when time is displayed on the screen.

4.2 Rotating data

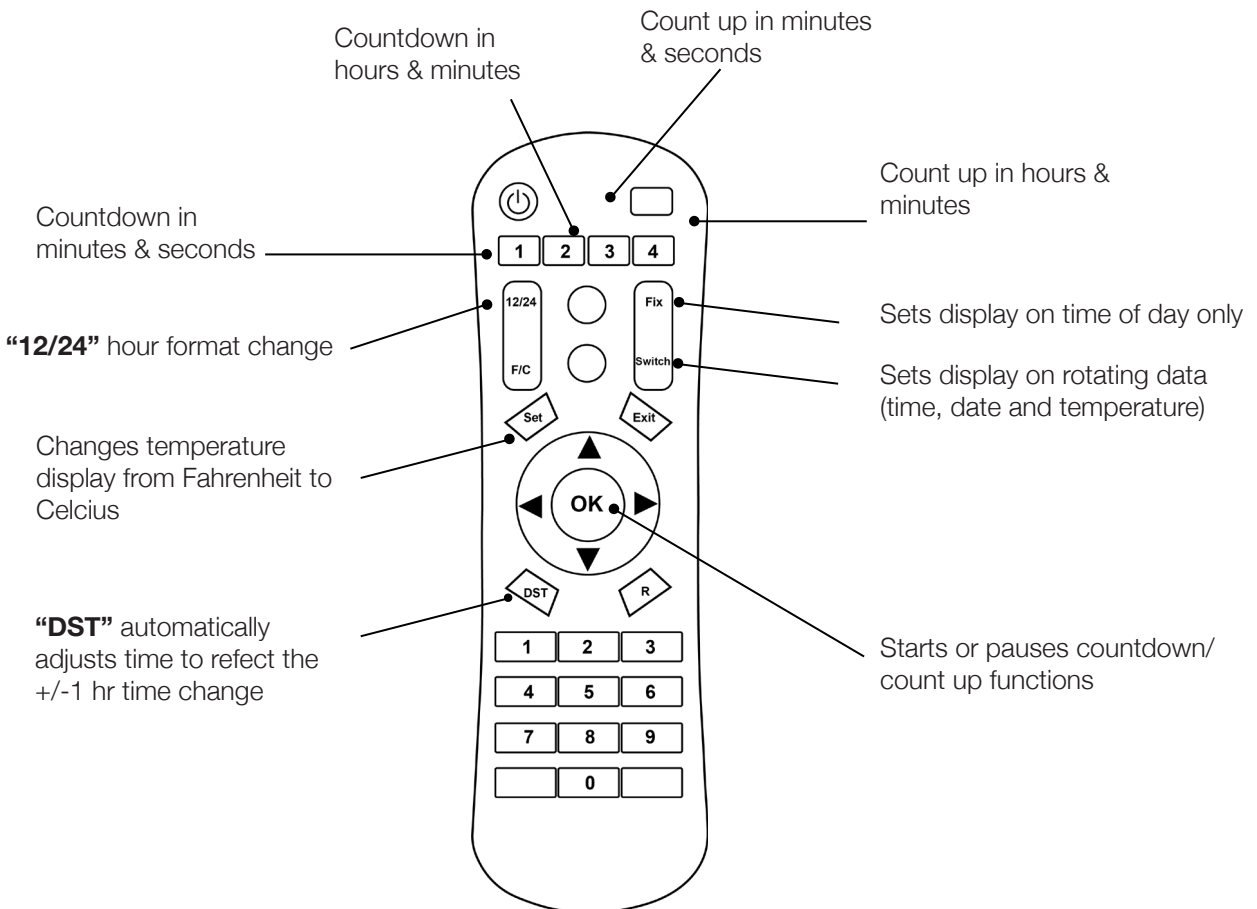
To display time of day, date and temperature in a rotating format

5. Mounting



Mounting bracket screws into sliding hardware pre-inserted in the frame groove. Brackets can be applied to the top and or sides of the clock.

6. Remote control



www.bigtimeclocks.biz



If you require any assistance, please contact customer service:

Phone# (702) 726 9030
email: info@bigtimeclocks.biz